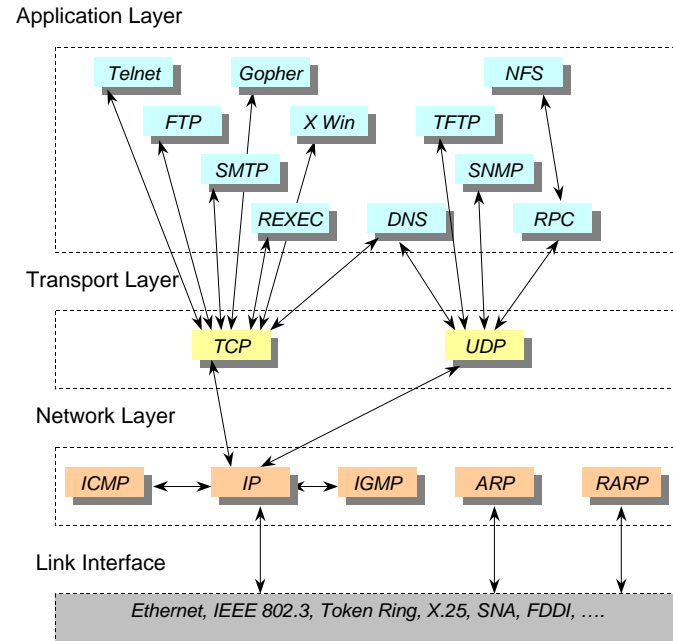




Internetworking With TCP/IP



Parviz Kermani
Polytechnic University

Prelude



Legends

■ Back to previous foil



■ Page contains animation



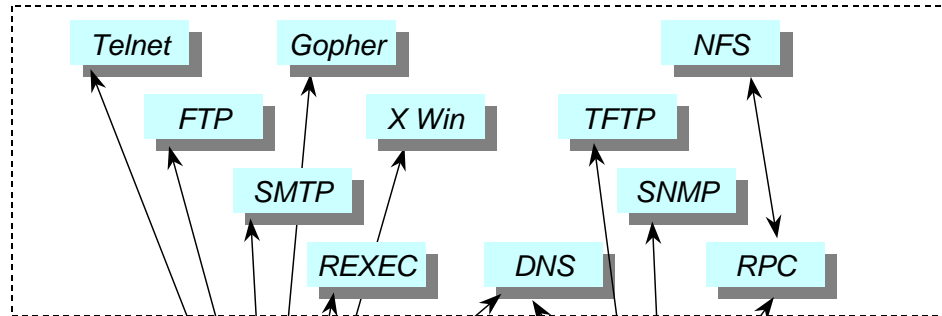
■ End of animation





Internet in a Nutshell

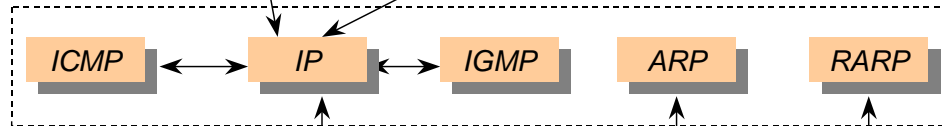
Application Layer



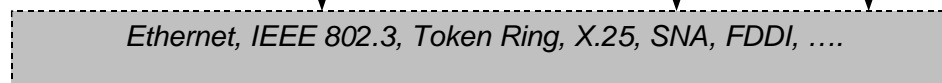
Transport Layer



Network Layer



Link Interface





Acknowledgement

Jim Kurose, Keith Ross	<i>Computer Networking: A Top Down Approach Featuring the Internet, 4th edition</i>
Comer, D. E.	<i>Internetworking with TCP/IP- Volume 1: Principles, Protocols, and Architecture</i>
Feit, Sidnie	<i>TCP/IP- Architecture, Protocols, and Implementation with Ipv6 & IP Security- Signature Edition</i>
Huitema, Christian	<i>Routing in the Internet, Prentice Hall 1995</i>
Perlman, Radia	<i>Interconnections: Bridges and Routers</i>
Stallings, W.	<i>Data and Computer Communications</i>
Stevens, W.R.	<i>TCP/IP Illustrated- Volume 1</i>
Tanenbaum, A.S.	<i>Computer Networks</i>
Warland, Jean	<i>Communication Networks: A First Course</i>

Other possible sources not mentioned above



Class Notes / Web Site

- All call notes, video and synchronized multimedia contents can be found at

- <http://west.poly.edu/~pkermani>

- CD-ROM Evaluation:

- <http://ripples.cs.umass.edu/~cs591/question/question.html>



Course Preparation

- Please use the ID/PW on the front cover of the textbook to register and have access to the online course materials
- Download Ethereal Lab materials
- If you have a PC/Laptop
 - Download and install Wireshark
 - Download and install Pingplotter
- If all students have a laptop, Wireshark Lab works will be carried out in class
- Otherwise we will use the computer lab at Poly



Class Requirement

- Attendance!
- "Possible" mid-term
- "Possible home works"!
 - Solutions will be available
- Lab experimentations
- Final exam